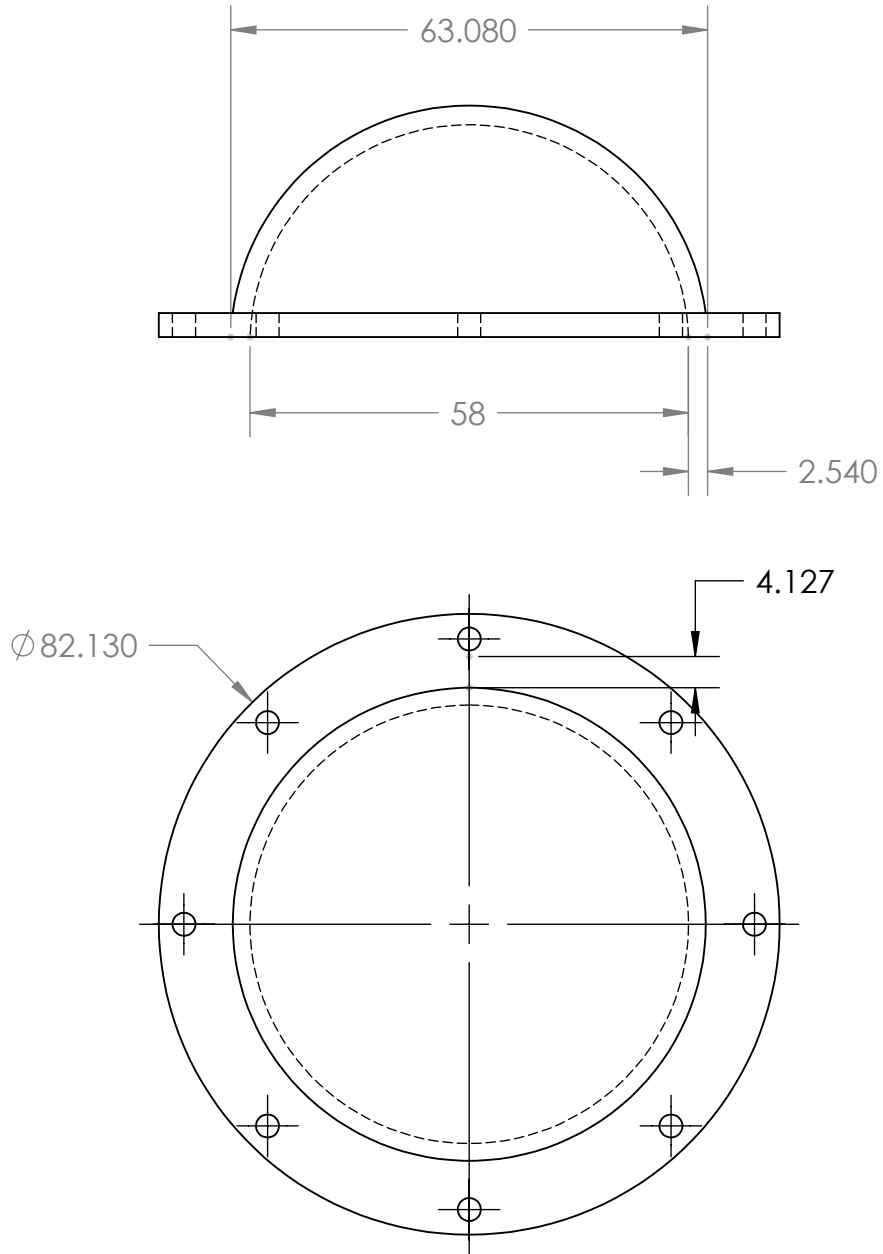


SIGNIFICANT FIGURES DO NOT DENOTE REQUESTED TOLERANCE. SEE NOTE BELOW FOR MORE INFORMATION.

ALL DIMENSIONS IN MM.



NOTE:

THE ID OF THE DOME (58mm) AND OUTER FLANGE DIMENSION ARE MOST IMPORTANT. THE OD OF THE DOME ITSELF IS NOT CRITICAL. A THICKNESS OF 0.25 INCH IS REQUESTED. DOME SHOULD BE AS CLOSE TO HEMISPHERICAL AS POSSIBLE.

	NAME	
DRAWN	URQUHART	
DATE	04-20-2011	
ENG APPR.		
MFG APPR.		
Q.A.		
COMMENTS:		
SIZE	DWG. NO.	REV.
A	dome	
SCALE:1:1	WEIGHT:	SHEET 1 OF 1